



## GT-321R(SR6) GPS/GLONASS

### Fast Acquisition Enhanced Sensitivity 32 track verification channels and 2 acquisition channels GPS Sensor Module

The GT-321R(SR6) is a compact all-in-one GPS module solution intended for a broad range of Original Equipment Manufacturer (OEM) products, where fast and easy system integration and minimal development risk is required.

The receiver continuously tracks all satellites in view and provides accurate satellite positioning data. The GT-321R(SR6) is optimized for applications requiring high-performance, low cost, and maximum flexibility; suitable for a wide range of OEM configurations including handhelds, sensors, asset tracking, PDA-centric personal navigation system, and vehicle navigation products.

Its 32 track verification channels and 2 acquisition and provide fast satellite signal acquisition and short startup time. Acquisition sensitivity of  $-147\text{dBm}$  and tracking sensitivity of  $-163\text{dBm}$  offers good navigation performance even in urban canyons having limited sky view..

Satellite-based augmentation systems, such as WAAS and EGNOS, are supported to yield improved accuracy. Besides it also supports SAGPS function and fixed in the short time.

RS232-level serial interface are provided on the interface connector. Supply voltage of 3.3V~6.0V is supported.

Users can modify NMEA sentences or Binary code by the extra flash memory. TTL & RS232-level serial interface are provided on the interface connector. Supply voltage of 3.3V~6V is supported.

## FEATURES

- 32 track verification channels and 2 acquisition channels.
- Tracking sensitivity  $-162\text{dBm}$
- Acquisition sensitivity  $-147\text{dBm}$
- Cold start < 34 seconds
- Hot start < 1sec under open sky
- 2.5m CEP accuracy
- SBAS (WAAS, EGNOS) support
- Support SAGPS function
- < 70mA with Tracking current
- 1.8m PS/2 Cable



## TECHNICAL SPECIFICATIONS

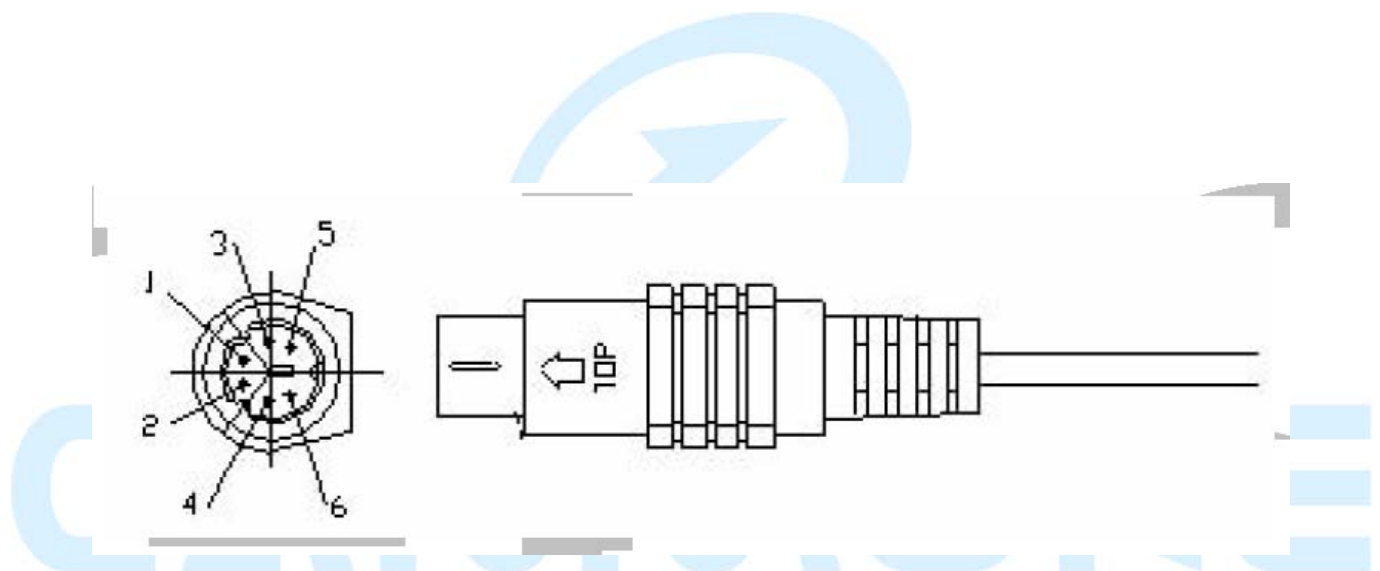
---

Receiver Type	32 track verification channels and 2 acquisition, L1 C/A code
Accuracy	Position 2.5m CEP Velocity 0.1m/sec
Startup Time (average)	about 3sec hot start < 35sec cold start
Signal Reacquisition	1s
Sensitivity	-148dBm acquisition for cold star. -160dBm tracking
Update Rate	1Hz standard (5Hz/10Hz special order)
Dynamics	4G (39.2m/sec <sup>2</sup> )
Serial Interface	LVTTTL & RS232 level
Protocol	NMEA-0183 V3.01 GPGGA, GPGLL, GPGSA, GPGSV, GPRMC, GPVTG, GPZDA, GLGSV, GNGGA 4800/9600/19200/38400/115200 baud, 8, N, 1
Datum	Default WGS-84 User definable
Interface Connector	One 1.0mm pitch WTB S/R wafer 87213 SMT R/A type connector
Input Voltage	3.3V~6V (Vin Max:6V)
Power Consumption	< 70mA (1Hz standard version) tracking
Dimension	61 mm L x 51 mm W x 20 mm H
Weight:	78g (with PS/2Canle)
Operating Temperature	-40°C ~ +85°C
Humidity	5% ~ 95%

## STANDARD PACKAGE

- GT-321R(SR6) Mini-DIN GPS Receiver
- Standard OEM Package

## PIN ASSIGNMENT



PS2	Description
Pin1	Power and signal ground
Pin2	3.3V ~ 6.0V DC input
Pin3	Asynchronous serial input at TTL level, to input command message
Pin4	Asynchronous serial input at RS-232 level, to input command message
Pin5	Asynchronous serial output at RS-232 level, to output NMEA message
Pin6	Asynchronous serial output at TTL level, to output NMEA message

## NMEA Messages

The serial interface protocol is based on the National Marine Electronics Association's NMEA 0183 ASCII interface specification. This standard is fully define in "NMEA 0183, Version 3.01" The standard may be obtained from NMEA, [www.nmea.org](http://www.nmea.org)

### GGA –(GP,GL,GN)GNSS DOP and Active Satellites

Time, position and position-fix related data (number of satellites in use, HDOP, etc.).

#### Format:

\$GPGGA,<1>,<2>,<3>,<4>,<5>,<6>,<7>,<8>,<9>,M,<10>,M,<11>,<12>,\*<13><CR><LF>

#### Example:

\$GPGGA,104549.04,2447.2038,N,12100.4990,E,1,06,01.7,00078.8,M,0016.3,M,,\*5C<CR><LF>

Field	Example	Description
1	104549.04	UTC time in hhmmss.ss format, 000000.00 ~ 235959.99
2	2447.2038	Latitude in ddmm.mmmm format Leading zeros transmitted
3	N	Latitude hemisphere indicator, 'N' = North, 'S' = South
4	12100.4990	Longitude in dddmm.mmmm format Leading zeros transmitted
5	E	Longitude hemisphere indicator, 'E' = East, 'W' = West
6	1	Position fix quality indicator 0: position fix unavailable 1: valid position fix, SPS mode 2: valid position fix, differential GPS mode
7	06	Number of satellites in use, 00 ~ 12
8	01.7	Horizontal dilution of precision, 00.0 ~ 99.9
9	00078.8	Antenna height above/below mean sea level, -9999.9 ~ 17999.9
10	0016.3	Geoidal height, -999.9 ~ 9999.9
11		Age of DGPS data since last valid RTCM transmission in xxx format (seconds) NULL when DGPS not used
12		Differential reference station ID, 0000 ~ 1023 NULL when DGPS not used
13	5C	Checksum

**Note:** The checksum field starts with a '\*' and consists of 2 characters representing a hex number. The checksum is the exclusive OR of all characters between '\$' and '\*'.



## GLL - LATITUDE AND LONGITUDE, WITH TIME OF POSITION FIX AND STATUS (OPTION)

Latitude and longitude of current position, time, and status.

### Format:

\$GPGLL,<1>,<2>,<3>,<4>,<5>,<6>,<7>\*<8><CR><LF>

### Example:

\$GPGLL,2447.2073,N,12100.5022,E,104548.04,A,A\*65<CR><LF>

Field	Example	Description
1	2447.2073	Latitude in ddmm.mmmm format Leading zeros transmitted
2	N	Latitude hemisphere indicator, 'N' = North, 'S' = South
3	12100.5022	Longitude in dddmm.mmmm format Leading zeros transmitted
4	E	Longitude hemisphere indicator, 'E' = East, 'W' = West
5	104548.04	UTC time in hhmmss.ss format, 000000.00 ~ 235959.99
6	A	Status, 'A' = valid position, 'V' = navigation receiver warning
7	A	Mode indicator 'N' = Data invalid 'A' = Autonomous 'D' = Differential 'E' = Estimated
8	65	Checksum

CANMORE

**GSA - (GP,GL,GN) GNSS Satellites in View**

GPS receiver operating mode, satellites used for navigation, and DOP values.

**Format:**

\$GPGSA,<1>,<2>,<3>,<3>,<3>,<3>,<3>,<3>,<3>,<3>,<3>,<3>,<3>,<3>,<3>,<4>,<5>,<6>\* <7><CR>  
><LF>

**Example:**

\$GPGSA,A,3,26,21,,,09,17,,,,,10.8,02.1,10.6\*07<CR><LF>

Field	Example	Description
1	A	Mode, 'M' = Manual, 'A' = Automatic
2	3	Fix type, 1 = not available, 2 = 2D fix, 3 = 3D fix
3	26,21,,,09,17,,,,,	PRN number, 01 to 32, of satellite used in solution, up to 12 transmitted
4	10.8	Position dilution of precision, 00.0 to 99.9
5	02.1	Horizontal dilution of precision, 00.0 to 99.9
6	10.6	Vertical dilution of precision, 00.0 to 99.9
7	07	Checksum

**GSV - (GP, GL, GN) GNSS Satellites in View**

Number of satellites in view, PRN number, elevation angle, azimuth angle, and C/No. Only up to four satellite details are transmitted per message. Additional satellite in view information is sent in subsequent GSV messages.

**Format:**

\$GPGSV,<1>,<2>,<3>,<4>,<5>,<6>,<7>,...,<4>,<5>,<6>,<7> \* <8><CR><LF>

**Example:**

\$GPGSV,2,1,08,26,50,016,40,09,50,173,39,21,43,316,38,17,41,144,42\*7C<CR><LF>

\$GPGSV,2,2,08,29,38,029,37,10,27,082,32,18,22,309,24,24,09,145,\*7B<CR><LF>

Field	Example	Description
1	2	Total number of GSV messages to be transmitted
2	1	Number of current GSV message
3	08	Total number of satellites in view, 00 ~ 12
4	26	Satellite PRN number, GPS: 01 ~ 32, SBAS: 33 ~ 64 (33 = PRN120)
5	50	Satellite elevation number, 00 ~ 90 degrees
6	016	Satellite azimuth angle, 000 ~ 359 degrees
7	40	C/No, 00 ~ 99 dB Null when not tracking
8	7C	Checksum



## RMC - RECOMMENDED MINIMUM SPECIFIC GPS/TRANSIT DATA(OPTION)

Time, date, position, course and speed data.

### Format:

\$GPRMC,<1>,<2>,<3>,<4>,<5>,<6>,<7>,<8>,<9>,<10>,<11>,<12>\*<13><CR><LF>

### Example:

\$GPRMC,104549.04,A,2447.2038,N,12100.4990,E,016.0,221.0,250304,003.3,W,A\*22<CR><LF>

Field	Example	Description
1	104549.04	UTC time in hhmmss.ss format, 000000.00 ~ 235959.99
2	A	Status, 'V' = navigation receiver warning, 'A' = valid position
3	2447.2038	Latitude in dddmm.mmmm format Leading zeros transmitted
4	N	Latitude hemisphere indicator, 'N' = North, 'S' = South
5	12100.4990	Longitude in dddmm.mmmm format Leading zeros transmitted
6	E	Longitude hemisphere indicator, 'E' = East, 'W' = West
7	016.0	Speed over ground, 000.0 ~ 999.9 knots
8	221.0	Course over ground, 000.0 ~ 359.9 degrees
9	250304	UTC date of position fix, ddmmyy format
10	003.3	Magnetic variation, 000.0 ~ 180.0 degrees
11	W	Magnetic variation direction, 'E' = East, 'W' = West
12	A	Mode indicator 'N' = Data invalid 'A' = Autonomous 'D' = Differential 'E' = Estimated
13	22	Checksum



## VTG - COURSE OVER GROUND AND GROUND SPEED (OPTION)

Velocity is given as course over ground (COG) and speed over ground (SOG).

### Format:

GPVTG,<1>,T,<2>,M,<3>,N,<4>,K,<5>\*<6><CR><LF>

### Example:

\$GPVTG,221.0,T,224.3,M,016.0,N,0029.6,K,A\*1F<CR><LF>

Field	Example	Description
1	221.0	True course over ground, 000.0 ~ 359.9 degrees
2	224.3	Magnetic course over ground, 000.0 ~ 359.9 degrees
3	016.0	Speed over ground, 000.0 ~ 999.9 knots
4	0029.6	Speed over ground, 0000.0 ~ 1800.0 kilometers per hour
5	A	Mode indicator 'N' = Data invalid 'A' = Autonomous 'D' = Differential 'E' = Estimated
6	1F	Checksum

## ZDA TIME AND DATE

### Format:

\$GPZDA,<1>,<2>,<3>,<4>,<5>,<6>\*<7><CR><LF>

### Example:

\$GPZDA,104548.04,25,03,2004,\*,\*6C<CR><LF>

Field	Example	Description
1	104548.04	UTC time in hhmmss.ss format, 000000.00 ~ 235959.99
2	25	UTC time: day (01 ... 31)
3	03	UTC time: month (01 ... 12)
4	2004	UTC time: year (4 digit year)
5		Local zone hour Not being output by the receiver (NULL)
6		Local zone minutes Not being output by the receiver (NULL)
7	6C	Checksum

## Binary Messages

See *Binary Message Protocol User's Guide* for detailed descriptions.



CanMore Electronics Co., LTD.

No. 40, Chenggonh 5th St., Jhubei City Hsinchu County, 302, Taiwan

Phone +886 3 6586046

Fax +886 3 6583940

Email: sales@canmore.com.tw

Website: [http:// www.canmore.com.tw](http://www.canmore.com.tw)

<http://canmorecorp.trustpass.alibaba.com/>

© 2000 CanMore Electronics Co., Ltd. All rights reserved.

Not to be reproduced in whole or part for any purpose without written permission of CanMore Electronics Co., Ltd. ("CMEC")  
Information provided by CMEC is believed to be accurate and reliable. These materials are provided by CMEC as a service to its customers and may be used for informational purposes only. CMEC assumes no responsibility for errors or omissions in these materials, nor for its use. CMEC reserves the right to change specification at any time without notice.

These materials are provides "as is" without warranty of any kind, either expressed or implied, relating to sale and/or use of CMEC products including liability or warranties relating to fitness for a particular purpose, consequential or incidental damages, merchantability, or infringement of any patent, copyright or other intellectual property right. CMEC further does not warrant the accuracy or completeness of the information, text, graphics or other items contained within these materials. CMEC shall not be liable for any special, indirect, incidental, or consequential damages, including without limitation, lost revenues or lost profits, which may result from the use of these materials.

CMEC products are not intended for use in medical, life-support devices, or applications involving potential risk of death, personal injury, or severe property damage in case of failure of the product.